



What's New MY18 Mercedes-AMG E 63 S 4MATIC+ Sedan (W213)

**MBC Product Management
Date of Revision: January 28, 2017**

Legal

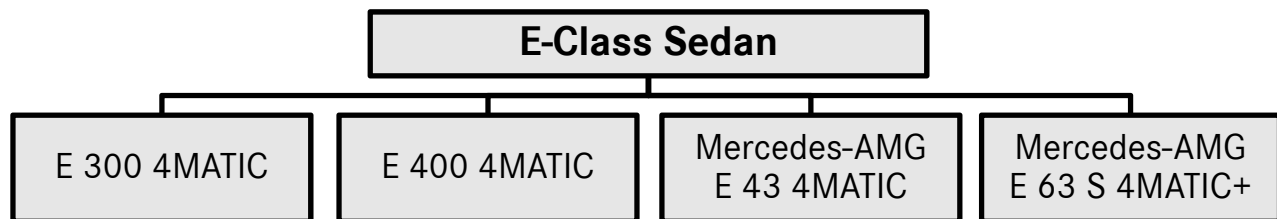
All illustrations and specifications contained in this guide are based on the latest product information available at the time of publication and is intended for internal use only. Text and images contained herein are all subject to copyright and other intellectual property protection. This guide may not be distributed, modified, transmitted, re-posted or used for public or commercial purposes without the written permission of Mercedes-Benz Canada Inc. This guide may also contain materials that are subject to the copyright rights of their providers. Mercedes-Benz Canada Inc. reserves the right to make changes at any time, without notice, to colours, materials, equipment, specifications and models. Any variations in colours shown are due to variation between monitors and printers. Illustrations may include test situations. Some vehicles may be shown with non-Canadian equipment. Some vehicles are shown with optional equipment. All other registered trademarks or trademarks are property of their respective owners.

What's New for MY 18

Introduction

For MY18, the E-Class Sedan receives a powerful new variant, the Mercedes-AMG E 63 S 4MATIC+. This powerhouse sedan utilizes a combination of the latest and greatest in AMG performance equipment while maintaining all of the tasteful appointments and cutting edge technology found in the other existing E-Class Sedan variants.

Model Overview



Model	Baumuster	Engine	Power	Torque
E 300 4MATIC	213.049	2.0L Turbo I4-Cylinder	241 hp 5,500 rpm	273 lb-ft 1,300-4,000 rpm
E 400 4MATIC	213.066	3.0L Biturbo V6-Cylinder	329 hp 5,250-6,000 rpm	354 lb-ft 1,200-4,000 rpm
Mercedes-AMG E 43 4MATIC	213.064	3.0L Biturbo V6-Cylinder	396 hp 6,100 rpm	384 lb-ft 2,500-5,000 rpm
Mercedes-AMG E 63 S 4MATIC+	213.089	4.0L Biturbo V8-Cylinder	603 hp 5,750-6,500 rpm	627 lb-ft 2,500-4,500 rpm



Exterior Images Front Cont.



Optional designo
Selenite Grey
MAGNO Paint (297)

Standard Active
MULTIBEAM LED
Lighting System

AMG Hood with
Power Domes

AMG Grille with Silver
Chrome Double Louvres
and "AMG" Lettering

Optional AMG
Carbon Ceramic
Brake System

Optional 20" AMG
Cross-Spoke
Matte Black (RTS)

Outer Air Inlet Flics
and Louvres in
High-Gloss Black

Vertical Black
Struts Behind
Grille

AMG Jet Wing Front
Apron with Silver
Chrome Splitter

Mercedes-AMG E 63 S 4MATIC+

Exterior Images Rear Cont.



Silver Chrome AMG Trim Element with Lettering "V8 BITURBO 4MATIC+"

Optional designo Selenite Grey MAGNO Paint (297)

Standard LED Taillights

AMG Spoiler

AMG Silver Chrome Side Sill Panels

Optional 20" AMG Cross-Spoke Matte Black (RTS)

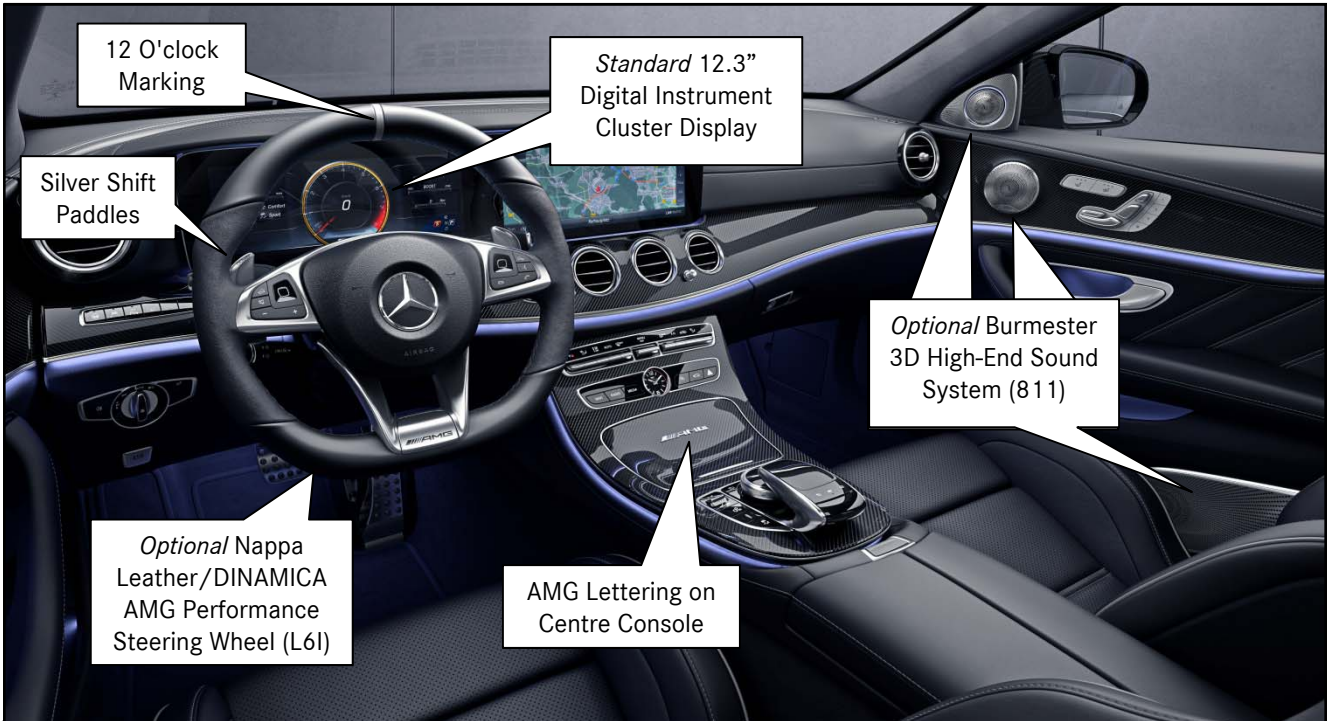
AMG 3-Fin Rear Diffuser/Apron in High-Gloss Black

Optional AMG Carbon Ceramic Brake System

Chrome-Plated Twin Tailpipes with Embossed "AMG" Logo

Mercedes-AMG E 63 S 4MATIC+

Interior Images Driver Cont.



Mercedes-AMG E 63 S 4MATIC+



Mercedes-AMG E 63 S 4MATIC+

Interior Images Passenger Cont.



Mercedes-AMG E 63 S 4MATIC+



Mercedes-AMG E 63 S 4MATIC+

Standard Equipment Highlights

E 63 S 4MATIC+

Mechanical

- Handcrafted AMG 4.0L Biturbo V8 Engine
- AMG SPEEDSHIFT 9-Speed Multi-Clutch Transmission
- Manual Override and RACE START Functionality
- ECO Start/Stop and Transmission Coasting Function
- AMG High Performance Braking System
- AMG Performance 4MATIC+ with Drift Mode
- AMG DYNAMIC SELECT
- AMG Sport Suspension w/AIR BODY CONTROL
- Active Dynamic Engine Mounts
- AMG Electronic Limited Slip Differential



Exterior

- Active MULTIBEAM LED Lighting System
- Adaptive Highbeam Assist
- AMG Trunk Lid Spoiler
- Red Brake Calipers with AMG Lettering
- 20" AMG 5-Twin Spoke Wheels (RTQ)



Interior

- AMG Exclusive Nappa Leather Upholstery
- Black DINAMICA Roof Liner
- AMG Performance Nappa Leather Steering Wheel
- Nappa Leather Dashboard
- Burmester Surround Sound System (590W, 13 Speakers)
- Panoramic Sunroof
- 12.3" Digital Instrument Cluster Display
- 12.3" COMAND Navigation Display w/ Touchpad
- Smartphone Integration
(Apple CarPlay and Google Android Auto)
- THERMOTRONIC Automatic Climate Control
- Premium Ambient Lighting
- Parking Pilot with Parking Assist PARKTRONIC
- Rear Window Sunshade



Safety

- Blind Spot Assist
- PRE-SAFE
- Active Brake Assist
- Crosswind Assist



Optional Equipment

E 63 S 4MATIC+

Premium Package (MPP)

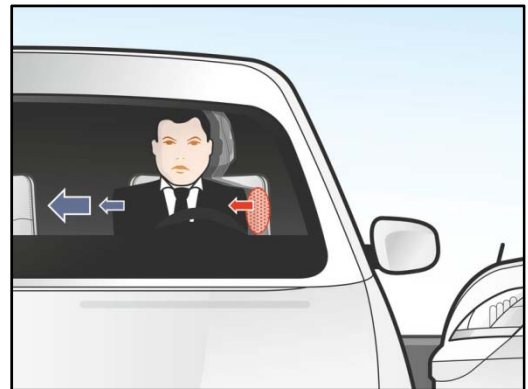
- Roller Rear Door Sunblinds (*manual*)
- Climate Comfort Front Seats
- Drive-Dynamic Multicontour Front Seats
- Head-Up Display
- 360 Camera
- Foot Activated Trunk/Tailgate Release
- Heated Rear Seats
- EASY-PACK Power Trunk Closer
- KEYLESS-GO
- Enhanced Heated Front Seats
- Heated Front Armrests
- Warmth Comfort Package

AMG Driver's Package (ADP)

- 20" AMG Cross-Spoke Forged (*RTR*)
- AMG Performance Exhaust System
- AMG Performance Steering Wheel (*L6I*)

Intelligent Drive Package (IDP)

- Driving Assistance Package
(*Active Blind Spot Assist, Active Lane Keeping Assist, PRE-SAFE PLUS*)
- DRIVE PILOT
- Distance Pilot DISTRONIC with Steering Pilot
- PRE-SAFE Impulse Side
- Traffic Sign Assist



Optional Equipment Cont.

E 63 S 4MATIC+

Standalone Options

- AMG Exterior Carbon Trim
- AMG Night Package
- AMG Carbon Ceramic Brake System
- AMG Performance Seat
- Carbon Fibre Engine Compartment Cover
- Carbon Fibre Exterior Mirrors
- Air Balance Package
- Wireless Phone Charging
- Burmester 3D High-End Sound System
(1450W, 23 Speakers)
- Windshield Heater *(delayed availability)*
- 20" AMG Cross-Spoke Matte Black *(RTS)*



Equipment Detail

AMG Exterior Carbon Trim (773)

Optional on E 63 S 4MATIC+



Sporty details in carbon fibre lend the vehicle a markedly more dynamic character. Components include:

- Front splitter in the AMG front apron in carbon fibre
- Inserts in the AMG side sill panels in carbon fibre
- Insert in AMG rear apron above rear diffuser in carbon fibre
- Trim element in the front wings in carbon fibre

Equipment Detail Cont.

AMG Night Package (P60)

Optional on E 63 S 4MATIC+



With striking design elements in a high-gloss black, the AMG Night Package (P60) underscores the sporty and expressive character of the vehicle. Components include:

- High-gloss black front splitter in AMG front apron
- Inserts in the AMG side sill panel inserts in high-gloss black
- Trim element in the front wings in high-gloss black
- Exterior mirror housings in high-gloss black
- Window surrounds in high-gloss black
- AMG exhaust system with two black chrome-plated twin tailpipe trim elements

Equipment Detail Cont.

AMG Exterior Carbon Trim + AMG Night Package

Optional on E 63 S 4MATIC+



The combination of AMG Exterior Carbon Trim (773) and AMG Night Package (P60) creates a great look for the E 63 S 4MATIC+. Components include:

- Front splitter in the AMG front apron in carbon fibre
- Inserts in the AMG side sill panels in carbon fibre
- Insert in AMG rear apron above rear diffuser in carbon fibre
- Trim element in the front wings in carbon fibre
- Exterior mirror housings in high-gloss black
- Window surrounds in high-gloss black
- AMG exhaust system with two black chrome-plated twin tailpipe trim elements

Edition 1

Components

Optional on E 63 S 4MATIC+



Limited to just 25 units, the E 63 S 4MATIC+ Edition 1 ushers in a new era of legendary E-Class performance. Components of this exclusive package include:

Design Components

- Selenite Grey MAGNO Paint
- AMG Carbon Fibre Trim
- Carbon Fibre Centre Console
- AMG Exclusive Nappa Leather Upholstery
- AMG Exclusive Floor Mats
- Edition 1 Package
 - AMG matte graphite grey side sport stripes
 - Yellow contrast stitching on upholstery, steering wheel, doors, dashboard and floor mats
 - Analogue clock w/ yellow highlights
 - Gloss black steering wheel bezel and shift paddles
 - "Edition 1" steering wheel badging
- AMG Night Package
- 20" AMG Cross-Spoke Forged Rims (RTS)

Performance Components

- AMG Carbon Ceramic Brake System
- AMG Performance Exhaust System
- AMG Performance Steering Wheel
- AMG Performance Seats

Comfort Components

- Climate Comfort Front Seats
- Roller Sunblinds in Rear Doors (manual)
- Windshield Heater
- Hands-Free Access
- Heated Rear Seats
- EASY-PACK Power Trunk Closer
- KEYLESS-GO
- Wireless Phone Charging
- Sun Protection Package
- Air Balance Package
- 115V Power Outlet

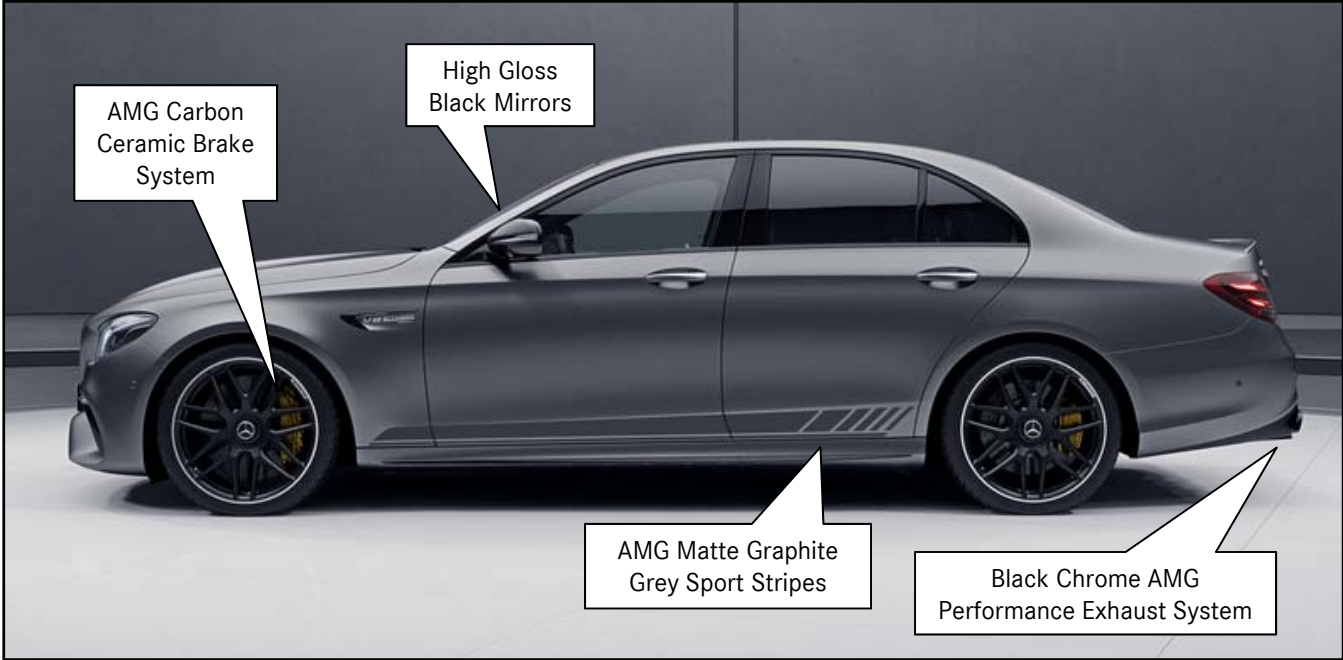
Technological Components

- Advanced Driving Assistance Package
 - Active Blind Spot Assist
 - Active Lane Keeping Assist
 - PRE-SAFE PLUS
 - DRIVE PILOT
 - Distance Pilot DISTRONIC
 - Traffic Sign Assist
- Head-up Display
- 360 Camera

Edition 1

Exterior

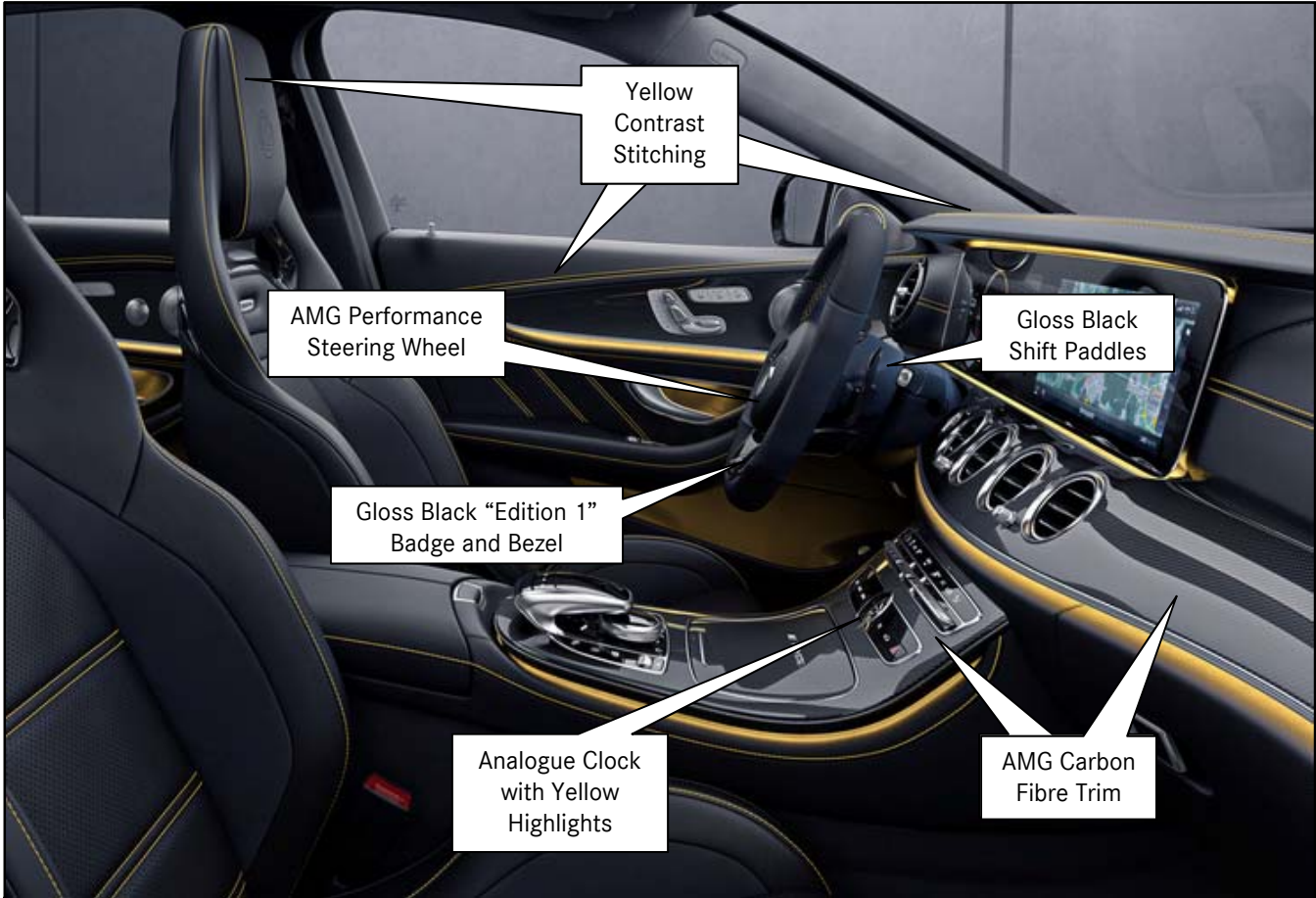
Optional on E 63 S 4MATIC+



Edition 1

Interior

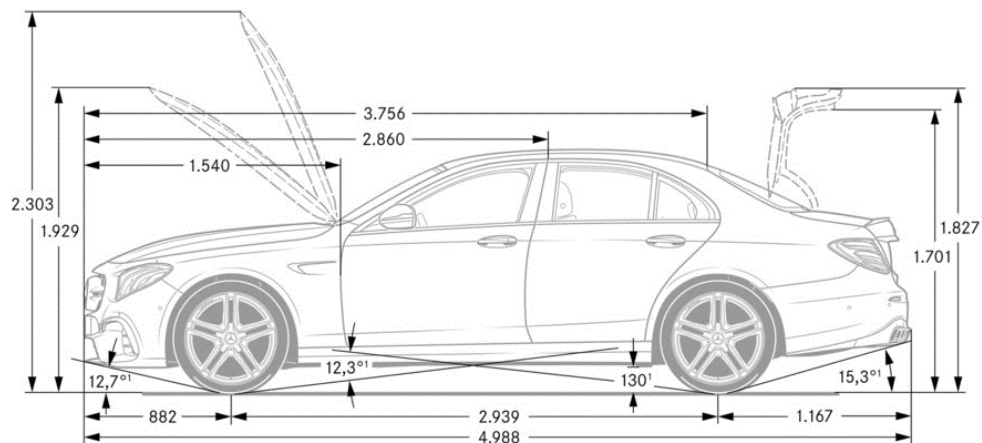
Optional on E 63 S 4MATIC+



Comparison

E 63 S 4MATIC+

	2018 E 63 S 4MATIC+	2016 E 63 S 4MATIC	Difference
Length (mm)	4,993 ✓	4,900	+93
Width (mm)	1,872	1,873	-1
Height (mm)	1,460 ✓	1,466	-6
Wheelbase (mm)	2,939 ✓	2,874	+65
Front Track (mm)	1,649 ✓	1,625	+24
Rear Track (mm)	1,595	1,597	-2
Curb Weight (kg)	2048	1,940	+108
Turning Circle (m)	12.50	11.75	+0.75
Cargo Volume (L)	540	540	0
Engine Type	Handcrafted V8 Biturbo	Handcrafted V8 Biturbo	N/A
Displacement (cm³)	3,982 (4.0L) ✓	5,461 (5.5L)	-1,479 (1.5L)
Horsepower (hp @ RPM)	603 @ 5,750 - 6,500 ✓	577 @ 5,500	+26
Torque (lb-ft @ RPM)	627 @ 2,500 - 4,500 ✓	590 @ 2,000-4,500	+37
Acceleration (0-100 km/h)	3.4 Seconds ✓	3.6 Seconds	-0.2 Seconds
Top Speed (km/h)	300 km/h	300 km/h	0
Transmission	AMG SPEEDSHIFT 9-Speed MCT ✓	AMG SPEEDSHIFT 7-Speed MCT	+2 Gears
Drive Config. (front/rear)	AMG 4MATIC+ Variable All-Wheel Drive (0/100) ✓	AMG 4MATIC Permanent All-Wheel Drive (33/67)	Variable Power Distribution
Suspension (front/rear)	Air Spring/Air Spring ✓	Coil Spring/Air Spring	Front Air Springs



Paints

Solid Paints *Standard*

For colour reference only. E 300 Shown.



Black (040)



Polar White (149)

Metallic Paints *Standard*



Obsidian Black (197)



Iridium Silver (775)



Citrine Brown (796)



Selenite Grey (992)



Canvansite Blue (890)



Kallaite Green (997)



Diamond Silver (988)

Paints Cont.

designo Paints *Optional*

For colour reference only. E 300 Shown.



designo Diamond White Metallic (799)



designo Hyacinth Red Metallic (996)



designo Selenite Grey MAGNO (297)

Interior Upholstery

AMG Exclusive Nappa Leather *Standard on E 63 S 4MATIC+*



Black (561)



Nut Brown (554)



Macchiato Beige (555)

Shown with
Optional AMG
Performance
Seats (555)

Trims

Available on the E 63 S 4MATIC+



Dark Ash Wood Open-Pore (736)



Aluminum (739)



Brown Ash Wood - Open-Pore (H09)

Trims

Available on the E 63 S 4MATIC+



designo Piano Black Flowing Lines (H16)



Metal Weave (H64)

Wheels

Mercedes-AMG E 63 S 4MATIC+ Wheels



Standard

Front: 265/35
Rear: 295/30
Summer Performance Tires
with TireFit

20" AMG 5-Twin-Spoke (RTQ)



Only with ADP

Front: 265/35
Rear: 295/30
Summer Performance Tires
with TireFit

20" AMG Cross-Spoke Forged (RTR)



Optional

Front: 265/35
Rear: 295/30
Summer Performance Tires
with TireFit

20" AMG Cross-Spoke Forged Matte Black (RTS)

Technical Data

MY18 E-Class Sedan	E 63 S 4MATIC+
DIMENSIONS	
Length (mm)	4,993
Width - Mirrors Retracted (mm)	1,872
Width - Mirrors Extended (mm)	2,065
Height (mm)	1,460
Track Width - Front (mm)	1,649
Track Width - Rear (mm)	1,595
Wheelbase (mm)	2,939
Turning Circle (m)	12.50
Luggage Capacity (L)	540
Fuel Capacity (L)	80
WEIGHT	
Curb Weight (kg)	2,048
Max. Gross Vehicle Weight (kg)	2,525
Maximum Payload (kg)	477
Maximum Front Axle Load (kg)	1,275
Maximum Rear Axle Load (kg)	1,260
Maximum Roof Load (kg)	100
ENGINE	
Engine Type	Handcrafted V8 Biturbo
Displacement (cm ³)	3,982
Bore (mm)	83.00
Stroke (mm)	92.00
Horsepower (SAE @ RPM)	603 @ 5,750 - 6,500
Torque (ft-lb @ RPM)	627 @ 2,500 - 4,500
Compression Ratio	8.6:1
Fuel Type	Premium Unleaded
DRIVETRAIN	
Drive Configuration	AMG Performance 4MATIC+ Variable All-Wheel Drive
Transmission Type	AMG SPEEDSHIFT 9-Speed MCT
BODY/SUSPENSION	
Steering	Rack & Pinion
Braking System	ABS w/ Brake Assist
Front Brake Type	Perforated Disc
Rear Brake Type	Perforated Disc
Brake Disc Ventilation	Front & Rear
Front Suspension	Indep. Air Spring, Multi-Link
Rear Suspension	Indep. Air Spring, Multi-Link
Drag Coefficient	0.32
ELECTRICAL	
Battery Capacity (Amp Hours)	95
Alternator Output (Watts)	2,800
PERFORMANCE	
Top Speed (km/h)	300
Acceleration - 0-100 km/h (s)	3.4

